

General Oceanics, Inc.

1295 NW 163rd street Miami, Florida 33169 USA

Telephone (305) 621-2882 Fax: (305) 621-1710

Email:Sales@GeneralOceanics.com

MAINTENANCE

Replace black power cord (spring) when its force drops 25% below initial values of 9 lbs for 1.7 to 2.5-l bottles, 15 lbs for 5- to 12-l bottles, and 20 lbs for 20- to 100-l bottles, as indicated on an in-line tensiometer (such as a handheld hanging scale to weigh fish).

In high sediment-laden water, do not grease working parts. (Grit trapped in grease scours sealing surfaces.)

Inspect O-rings for damage.

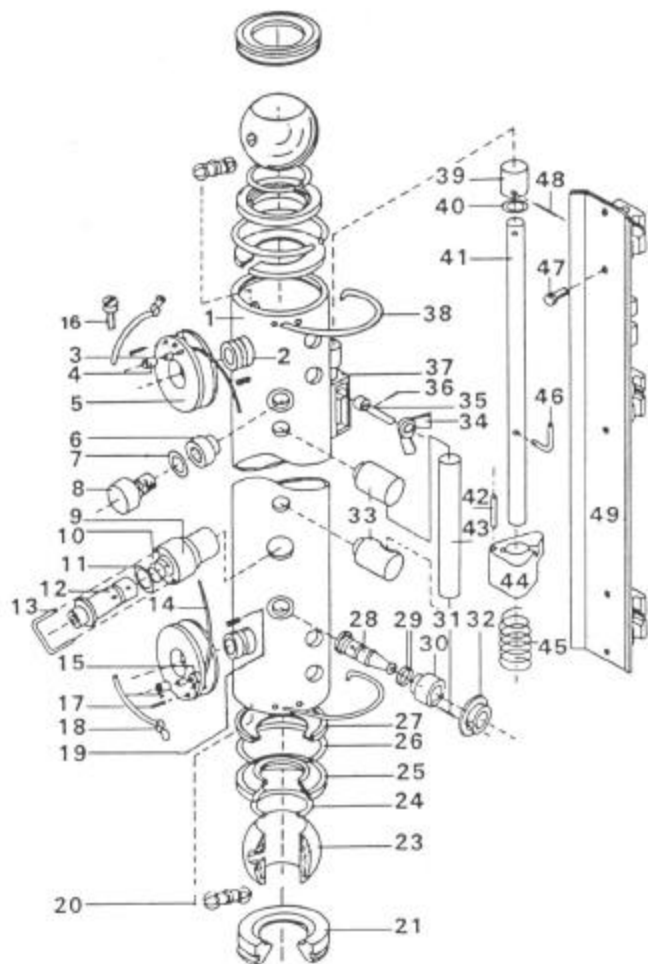
Wash bottle with fresh water after use and before storage.

Caution: If solvents other than water are used to clean bottles, test solvents first on small non-critical area of PVC or Teflon coating.

Store bottles with valves in *final closed position*.

After extended storage, especially before every deployment, make sure that all moving parts and seals are free to perform. (Remove outer cap rings and valve balls, then slide inner seal ring up and down several times to relieve "O" ring from any preset or grease displacement.) Samplers with screw-type cap require additional torque.

PARTS



ITEM	DESCRIPTION	QT.
1	BODY	1
2	PULLEY BUSHING	2
3	1/8 NIDROPRESS SINGLE HOLE	2
4	HEAT SHRINK	2
5	SPRING PULLEY	2
6	BUSHING. PRESSURE A/VENT.	1
7	"O" RING 81-0395	1
8	A/VENT & PRESSURE VALVE	1
9	PRESSURE VALVE BUSHING	1
10	SPRING	1
11	"O" RING 81-0025	1
12	PRESSURE VALVE	1
13	"U" BRACKET	1
14	LANYARD 1/8	1
15	FLAT WASHER	2
16	SCREW	4
17	ROLL PIN .12x1.0	2
18	RUBBER SPRING	1
19	ANCHOR PIN	2
20	BALL KEY	2
21	BALL ENTRAPMENT	2
22	"O" RING	2
23	SEALING BALL	2
24	"O" RING	2
25	FLOATING SEAL	2
26	"O" RING	2
27	SILICONE SEAL	2
28	VALVE BODY. PETCOCK.	1
29	"O" RING PETCOCK.	2
30	BUSHING. PETCOCK.	1
31	LOCK PIN. PETCOCK.	1
32	PULL DISC. PETCOCK.	1
33	HANDLE POST	2
34	WING NUT	3
35	WIRE CLAMP BOLT	3
36	ROLL PIN .12x.5	3
37	BLOCK P.V.C.	3
38	LOCKING LANYARD	2
39	PUSH ROD CAP	1
40	"O" RING 81-0395	1
41	PUSH ROD	1
42	RELEASE PIN "I"	1
43	CARRYING HANDLE	1
44	THUMB BLOCK	1
45	PUSH ROD SPRING	1
46	RELEASE PIN "L"	1
47	MTG. BLOCK BOLT	5
48	ROLL PIN. PUSH ROD	1
49	MTG. WELDMENT	1