

General Oceanics, Inc.

1295 NW 163rd Street Miami, Florida 33169 USA

Telephone (305) 621-2882 Fax (305) 621-1710

Email:Sales@GeneralOceanics.com

MAINTENANCE

Replace black power cord (spring) when its force drops 25% below initial values of 10 lbs. for 1.2-l bottle, 15 lbs. for 1.7-l, 20 lbs. for 2.5-l, 22 lbs. for 5-l and 8-l, 24 lbs. for 10-l and 12-l, and 42 lbs. for 30-l bottles.

In high sediment-laden water, do not grease working parts. (Grit trapped in grease scours sealing surfaces.)

Inspect O-rings for damage. Adjust knots in latex tubing to control any leakage.

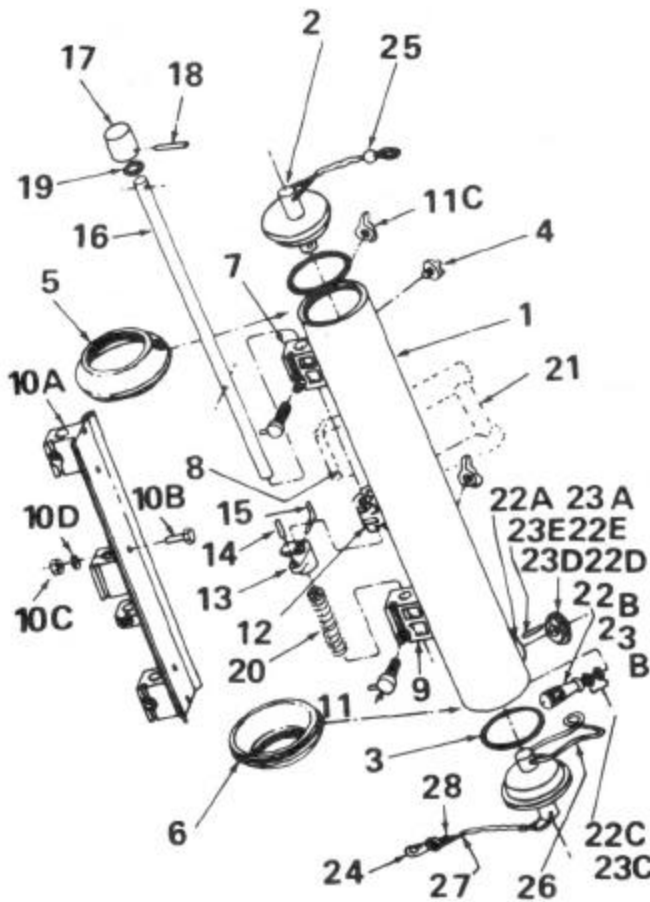
Wash bottle with fresh water after use and before storage.

Caution: If solvents other than water are used to clean bottles, test solvents first on small non-critical area of PVC or Teflon coating.

Store bottles with valves in *final closed position*.

After extended storage, especially before every deployment, make sure that all moving parts and seals are free to perform.

PARTS



WHEN ORDERING SPECIFY: BOTTLE MODEL, VOLUME, ITEM NO. AND SERIAL NO.		
ITEM	DESCRIPTION	QT.
1	BODY	1
2	END PLUG ASSY	2
3	BOTTLE "O" RING	2
4	AIR VENT SCREW 10100004	1
5	UPPER NOSE CONE	1
6	LOWER NOSE CONE	1
7	UPPER MTG. BLOCK-PVC	1
8	CENTER MTG. BLOCK-PVC (NOT SHOWN - 10 & 12L ONLY)	1
9	LOWER MTG. BLOCK - PVC	1
10	MTG. BLOCK ASSY - AL. (20-30L ONLY)	1
10A	MTG. BLOCK WELDMENT	1
10B	MTG. BLOCK BOLT	5
10C	MTG. BLOCK NUT	5
10D	MTG. BLOCK WASHER	5
11	WIRE CLAMP BOLT ASSY	2
11C	WING NUT	1
12	CENTER RELEASE BLOCK	1
13	THUMB BLOCK 101000013	1
14	RELEASE PIN "I"	1
15	RELEASE PIN "L"	1
16	PUSH ROD	1
17	PUSH ROD CAP	1
18	PUSH ROD ROLL PIN	1
19	PUSH ROD "O" RING 81-0395	1
20	PUSH ROD SPRING 86-0131	1
21	CARRYING HANDLE ASSY (NOT SHOWN-5-30L)	1-2
21A	POST	2
21B	HANDLE BAR	1
21C	MTG BOLT (20-30L ONLY)	2
22	PETCOCK ASSY 0.187 BORE 101000022	1
22A	BUSHING 101000022A	1
22B	VALVE BODY 101000022B	1
22C	"O" RING 81-0012V	3
22D	PULL DISC 101000022D	1
22E	LOCK PIN 30-0019	1
23	PETCOCK ASSY 0.375 BORE 101000023	1
23A	BUSHING 101000023A	1
23B	VALVE BODY 101000023B	1
23C	"O" RING 81-0014V	3
23D	PULL DISC 101000023D	1
23E	LOCK PIN 30-0019	1
24	BRASS LANYARD SNAP 85-5000	1
25	POLY LANYARD BALL 101000025	1
26	LATEX CLOSURE BAND	1
27	NYLON MONOFILAMENT LINE 86-6000	A/R
28	CRIMP SLEEVE - MINIMUM ORDER OF - 65-6000	15